



**NVENIA**  
A DURAVANT COMPANY

**PRE-MADE POUCH FILLING MACHINES**

# Pre-Made Pouch Filling

## Model ROFS 1012-HS

The Ohlson Brand Pre-Made Pouch Filling Machines are designed to maximize production output for products being filled in pre-made bags and stand-up pouches.

### FEATURES

- Stainless Steel Construction
- Centralized Adjustments For Gripper Width
- User Friendly Color Touch Pad
- Bag Magazine
- Bag Opening Blade With Full Opening Detector
- Bag Deflator
- Discharge Conveyor

**Note:** All features may not be available for all models



### COMMON ACCESSORIES

- Dust collector unit
- Date code printer (Bag samples and desired printing locations must be approved)
- Product Settler
- Gas injection
- Zipper opener assist option
- Product deflator chute
- Locking casters
- Timing gate to improve speed
- Liquid pump/valve for liquids and oils (to be deposited into bag)



### INDUSTRIES



Bakery/  
Confection



Snacks



Bulk Food



Fruits/  
Veggies



Meat/Poultry/  
Fish



Pet  
Food



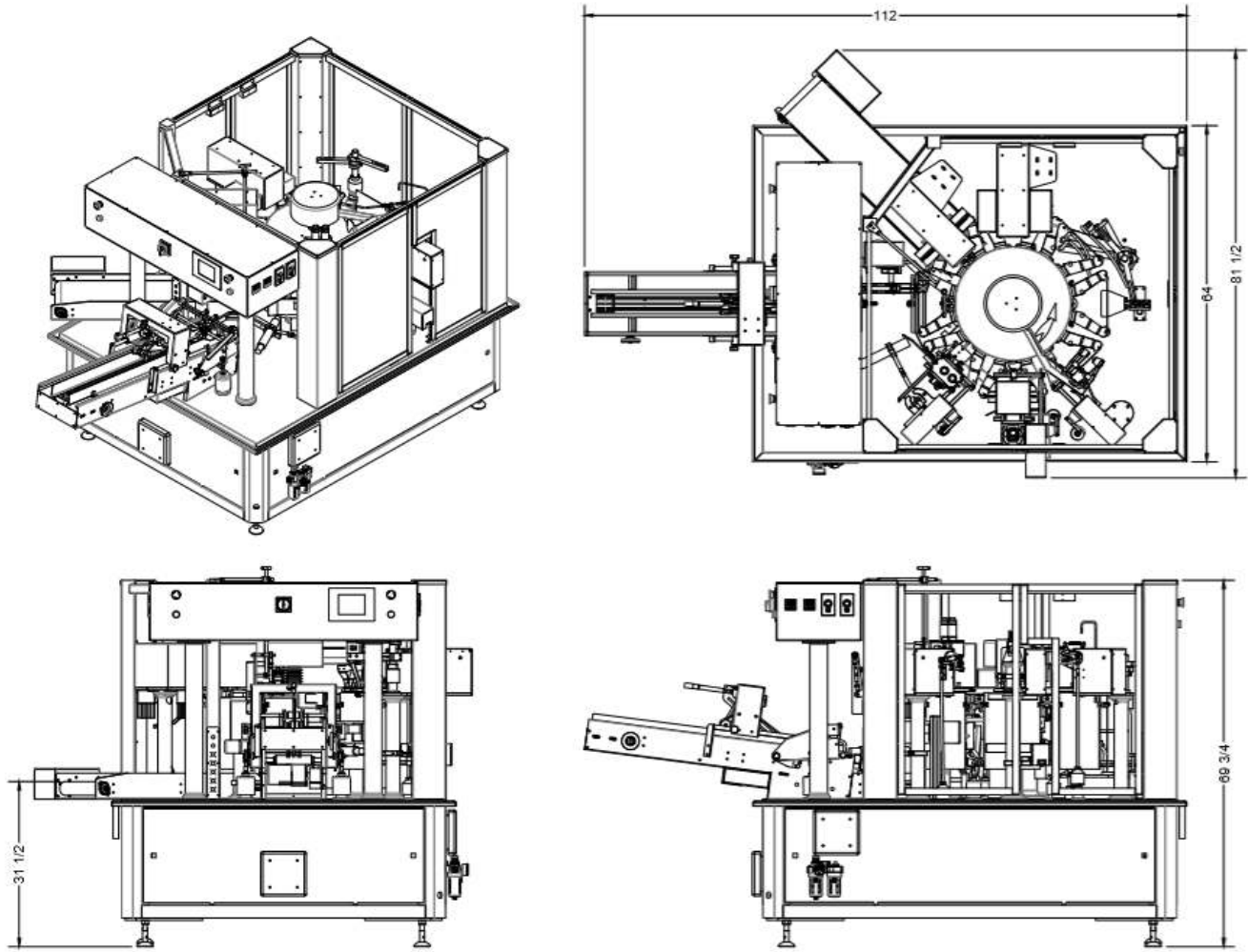
Pharma-  
ceuticals



Health &  
Beauty

# Sample Configuration

ROFS 1012-HS Depicted

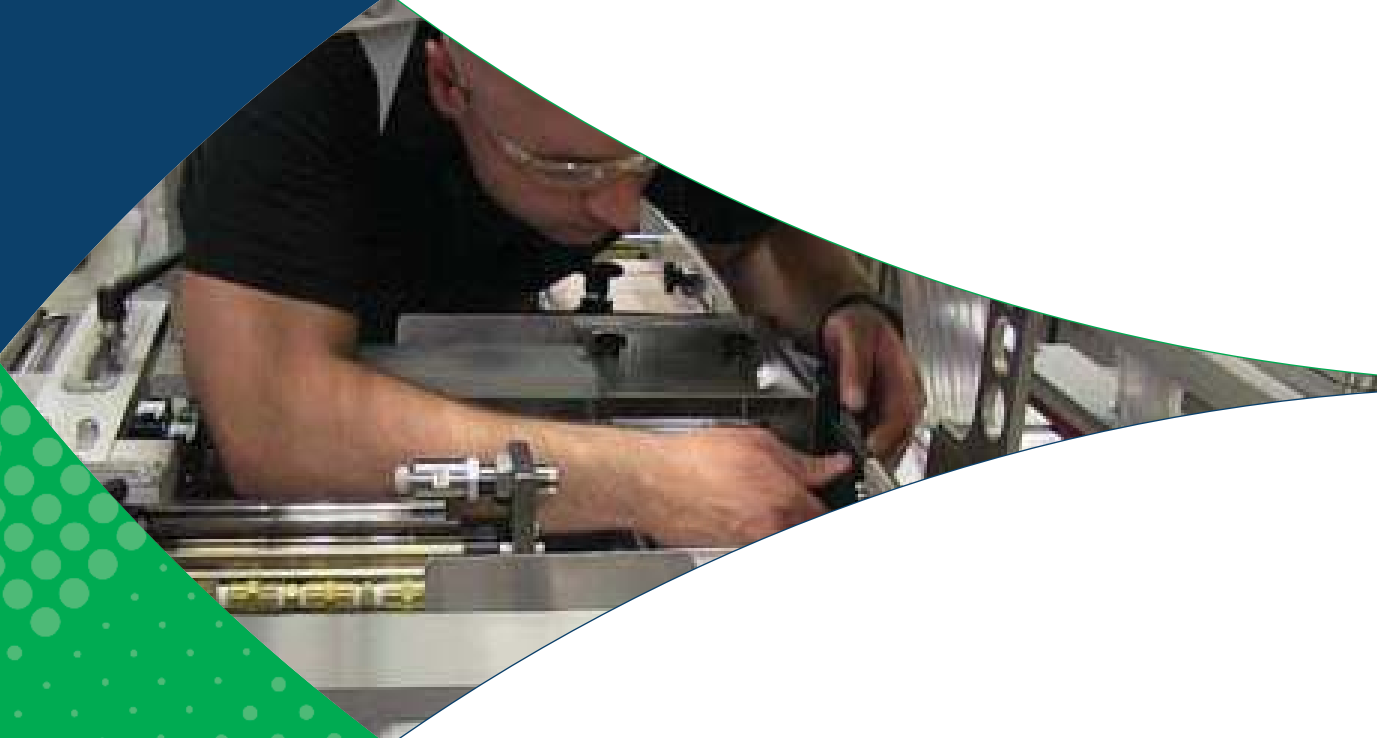


## KEY SPECIFICATIONS

Specs may vary based on specific options and/or additional system requirements

	<b>ROFS 1012-HS</b>
Pouch Width	4.3" To 9.8"
Pouch Length	5.9" To 13.7"
Max Weight	5 lbs.
Max Speed*	60 Pouches/Minute
Power Req.	15A 220VAC Three Phase @ 60HZ
Air Req.	18CFM @ 85PSI
Dimensions	112" x 81.5" x 69"

\*Final quoted speeds are product and weight-dependent



**NVENIA**

750 N. Wood Dale Road  
Wood Dale, IL 60191  
info@nVenia.com  
800.253.5103  
www.nVenia.com

**SUPPORTPRO**

3500 Lacey Road, Suite 290  
Downers Grove, IL 60515  
support@supportpro.pro  
844.777.8776  
www.supportpro.pro